

1 2 3 4 5 6 7 8

A A

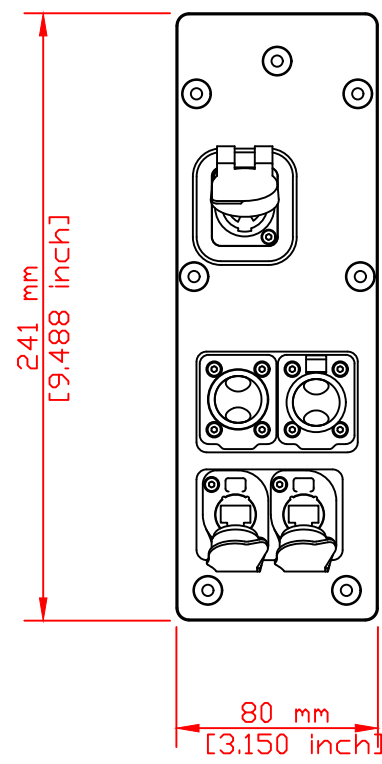
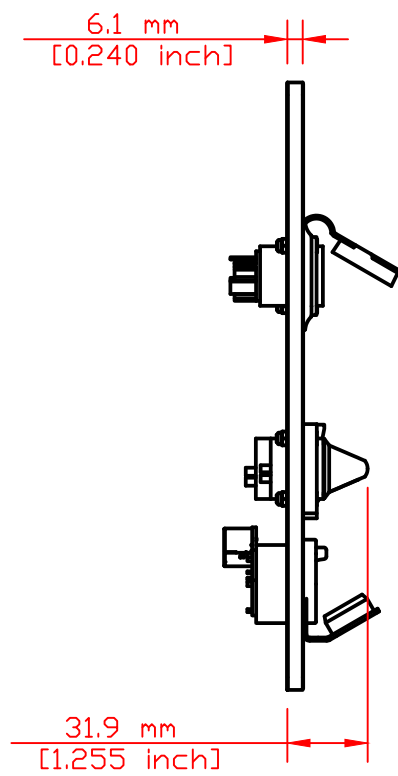
B B

C C

D D

E E

F F



Weight 0,4 kg / 0,88 lbs	Filename KF_VIDA_M_CONNECTOR_PANEL.dwg	Date 17.12.2020	
Kling & Freitag GmbH junktorsstrasse 14 D-30179 Hannover www.kling-freitag.de	VIDA M CONNECTOR PANEL		
	Rev. 1	Sheet 1/1	
INFORMATION IN THIS DOCUMENT IS THE SOLE PROPERTY OF KLING & FREITAG GmbH. REPRODUCTION OF ALL OR ANY PART OF THIS DOCUMENT WITHOUT WRITTEN PERMISSION FROM KLING & FREITAG GmbH IS PROHIBITED.			

1 2 3 4 5 6 7 8