

1 2 3 4 5 6 7 8

A

B

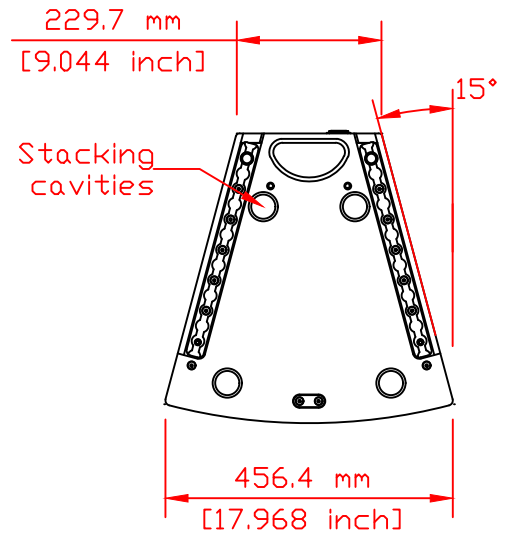
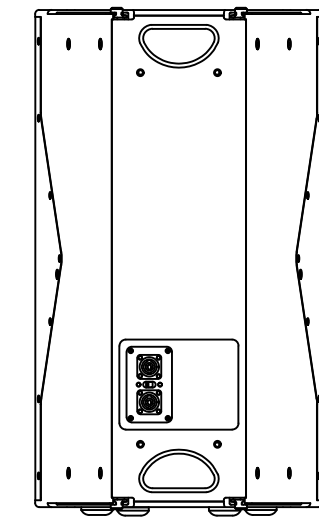
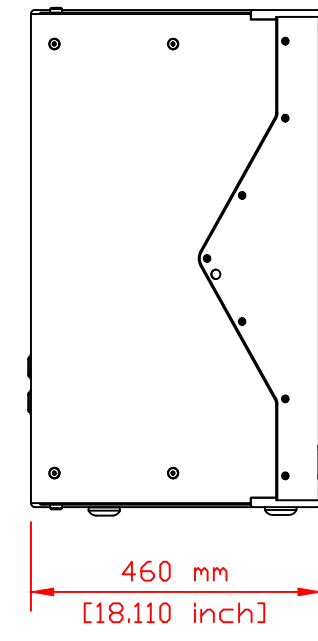
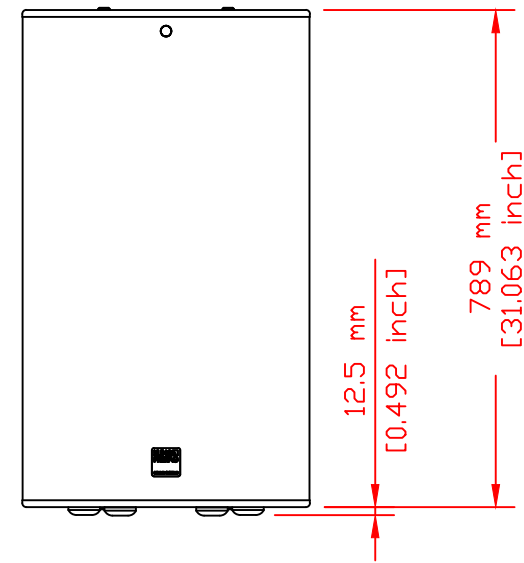
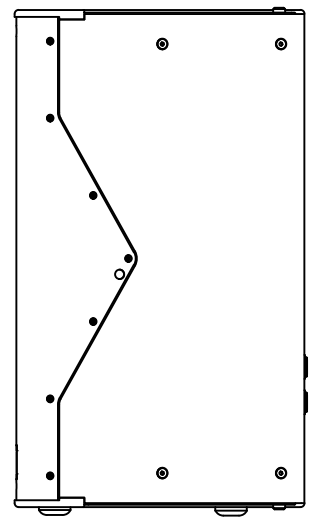
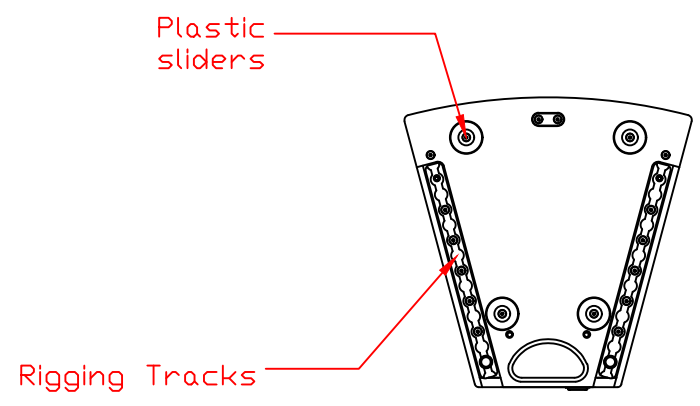
C

D

E

F

1 2 3 4 5 6 7 8



Weight 48 kg / 105.8 lbs	Catalog No.	Filename KF_SPECTRA_212_6.dwg	Date 05.04.2018	NOT TO SCALE
Kling & Freitag GmbH junktorsstrasse 14 D-30179 Hannover www.kling-freitag.de		SPECTRA 212		
			Rev. 1	Sheet 1/1

INFORMATION IN THIS DOCUMENT IS THE SOLE PROPERTY OF KLING & FREITAG GmbH.
REPRODUCTION OF ALL OR ANY PART OF THIS DOCUMENT WITHOUT WRITTEN PERMISSION FROM
KLING & FREITAG GmbH IS PROHIBITED.