

1 2 3 4 5 6 7 8

A

B

C

D

E

F

A

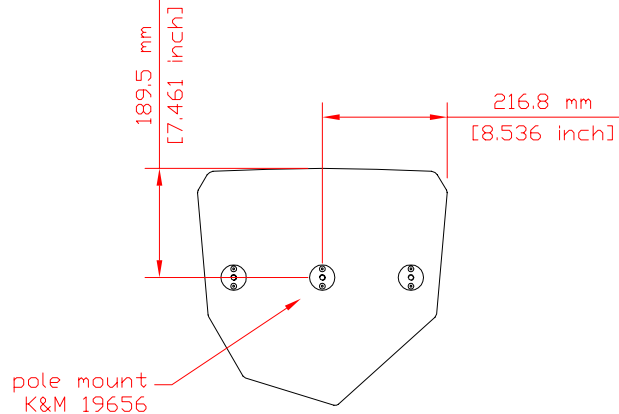
B

C

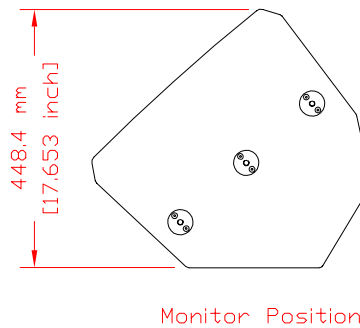
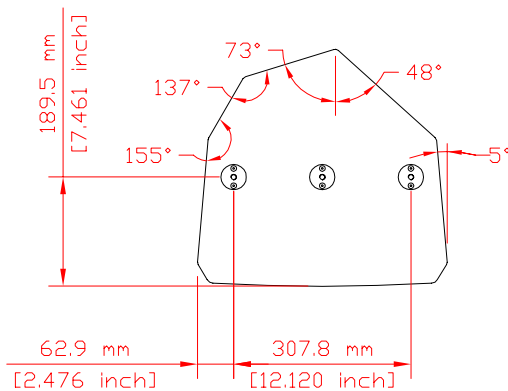
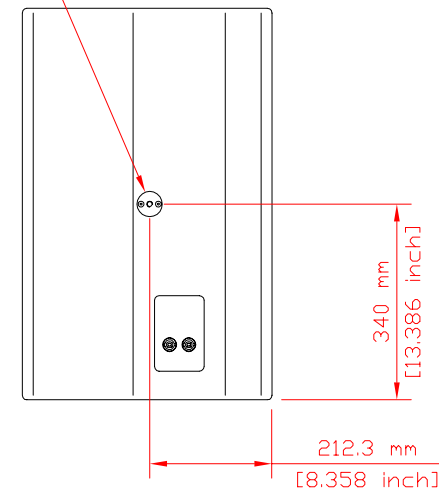
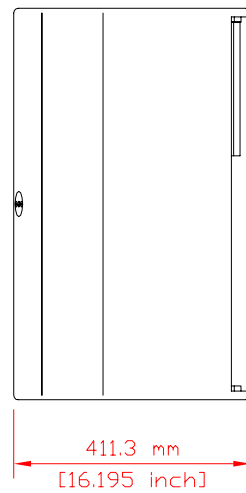
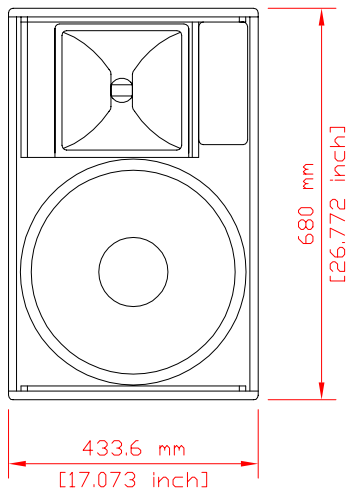
D

E

F



7 x Rigging Point M10



Weight 36,4 kg / 80.3 lbs	Catalog No.	Filename KF_CA_1515-9-1.dwg	Date 15.05.2007	NOT TO SCALE	
Kling & Freitag GmbH junktorsstrasse 14 D-30179 Hannover www.kling-freitag.de			CA 1515-9 Installation		
cvl0058			Rev. 1	Sheet 1/1	

INFORMATION IN THIS DOCUMENT IS THE SOLE PROPERTY OF KLING & FREITAG GmbH. REPRODUCTION OF ALL OR ANY PART OF THIS DOCUMENT WITHOUT WRITTEN PERMISSION FROM KLING & FREITAG GmbH IS PROHIBITED.

1 2 3 4 5 6 7 8