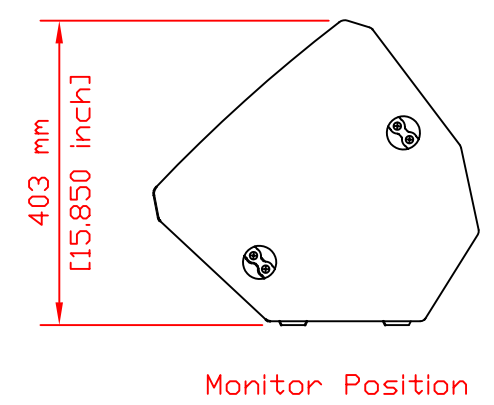
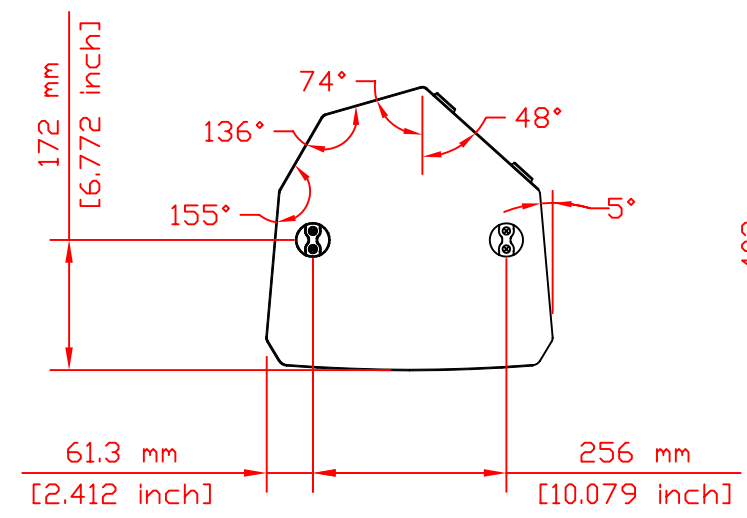
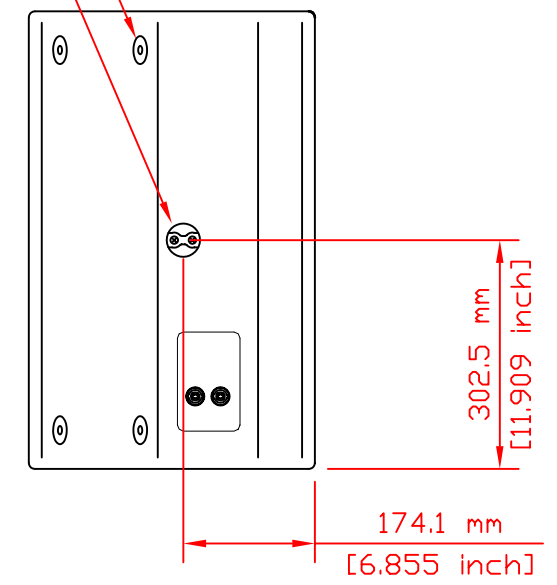
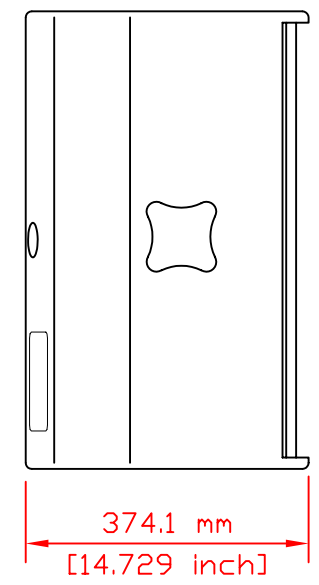
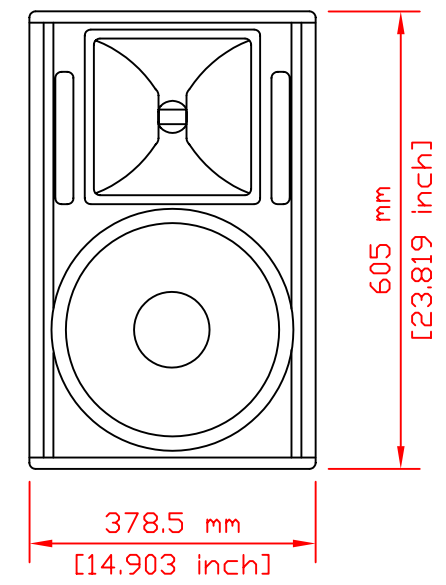


Plastic Sliders
Rigging Points ANCRA Jungfalk 120030-31



Weight 31 kg / 68,4 lbs	Catalog No.	Filename KF_CA_1215_9_M.pdf	Date 10.09.2003	NOT TO SCALE
Kling & Freitag GmbH Junkersstrasse 14 D-30179 Hannover www.kling-freitag.de		CA 1215-9-M		Rev. 1
			CVL0008b	Sheet 1/1

INFORMATION IN THIS DOCUMENT IS THE SOLE PROPERTY OF KLING & FREITAG GmbH. REPRODUCTION OF ALL OR ANY PART OF THIS DOCUMENT WITHOUT WRITTEN PERMISSION FROM KLING & FREITAG GmbH IS PROHIBITED.