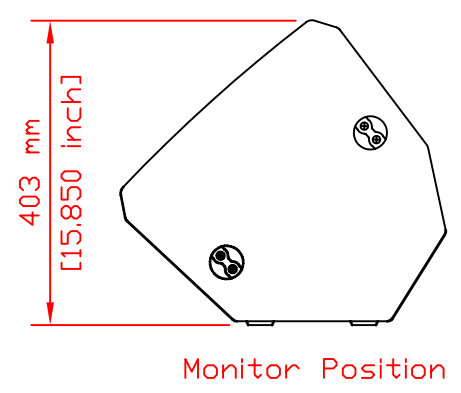
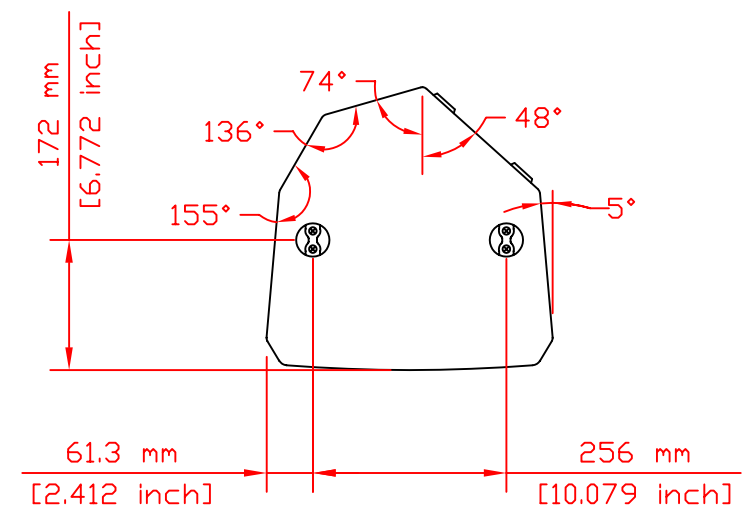
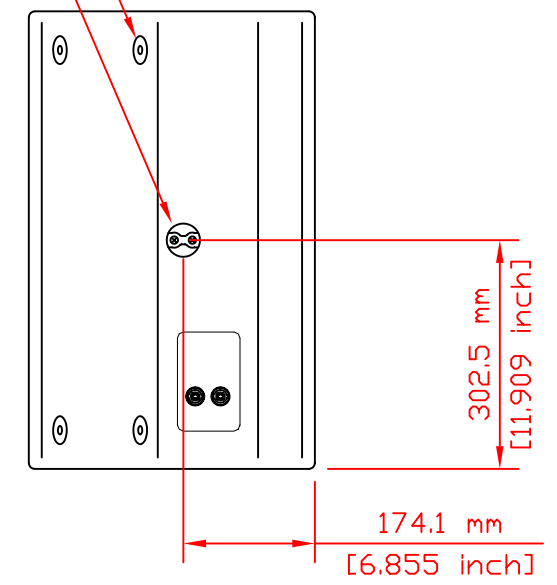
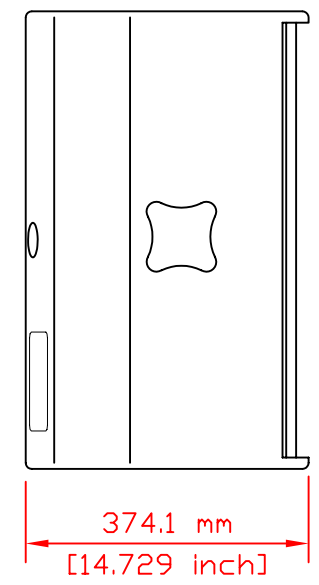
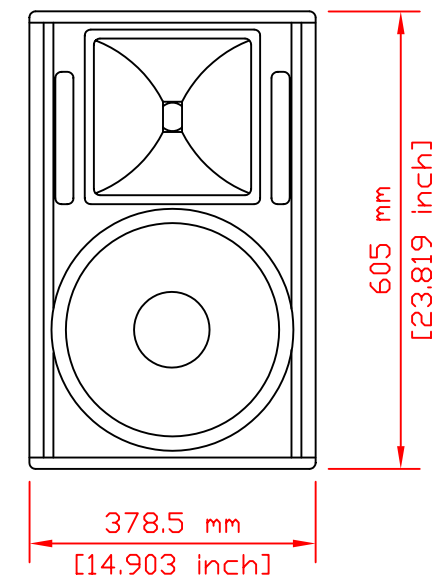


Plastic
Sliders

Rigging Points
ANCRA Jungfalk
120030-31



Weight 25 kg / 55.1 lbs	Catalog No.	Filename KF_CA_1201_M.pdf	Date 10.09.2003	NOT TO SCALE
Kling & Freitag GmbH Junkersstrasse 14 D-30179 Hannover www.kling-freitag.de			CA 1201-M	
CVL0006b			Rev. 1	Sheet 1/1

INFORMATION IN THIS DOCUMENT IS THE SOLE PROPERTY OF KLING & FREITAG GmbH.
REPRODUCTION OF ALL OR ANY PART OF THIS DOCUMENT WITHOUT WRITTEN PERMISSION FROM
KLING & FREITAG GmbH IS PROHIBITED.