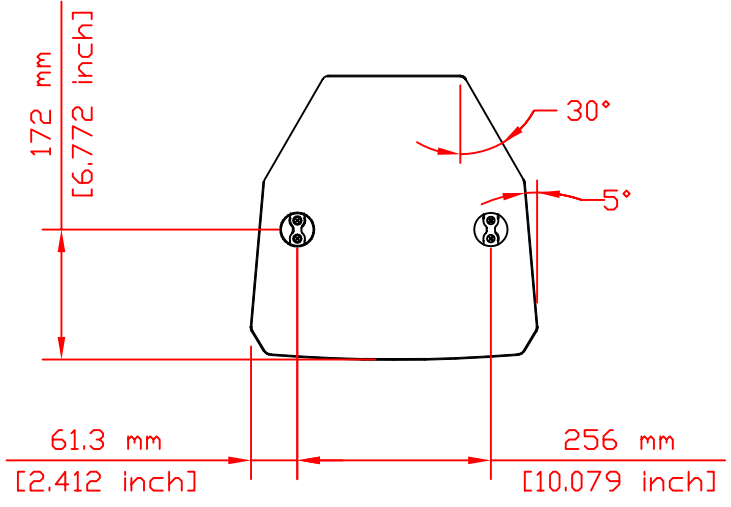
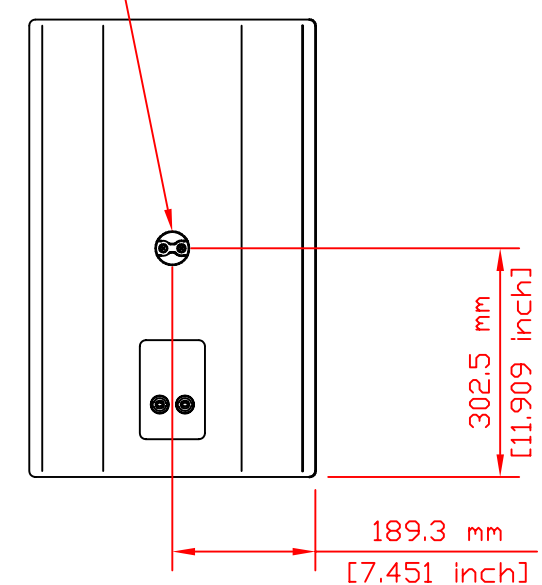
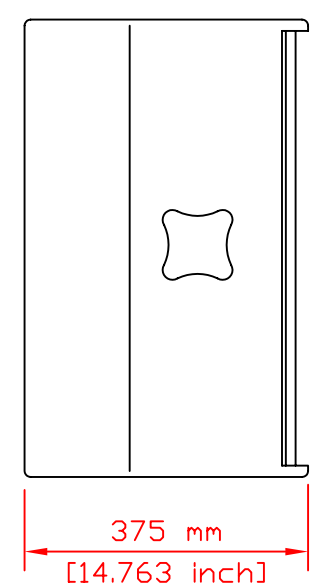
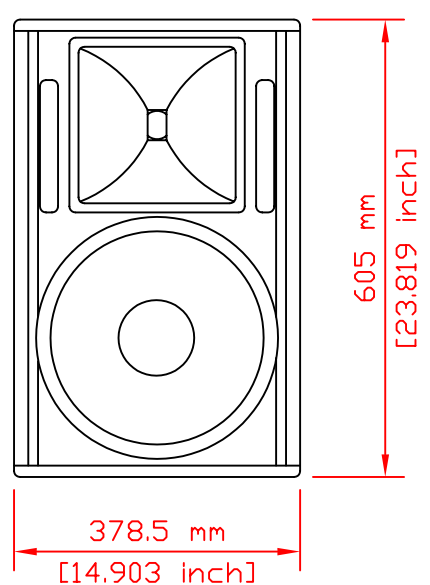


Rigging Points
ANCRA Jungfalk
120030-31



Weight 25 kg / 55.1 lbs	Catalog No.	Filename KF_CA_1201.pdf	Date 20.12.2002	NOT TO SCALE	
Kling & Freitag GmbH junktorsstrasse 14 D-30179 Hannover www.kling-freitag.de			CA 1201		
			CVL0006a	Rev. 1	Sheet 1/1

INFORMATION IN THIS DOCUMENT IS THE SOLE PROPERTY OF KLING & FREITAG GmbH.
REPRODUCTION OF ALL OR ANY PART OF THIS DOCUMENT WITHOUT WRITTEN PERMISSION FROM
KLING & FREITAG GmbH IS PROHIBITED.