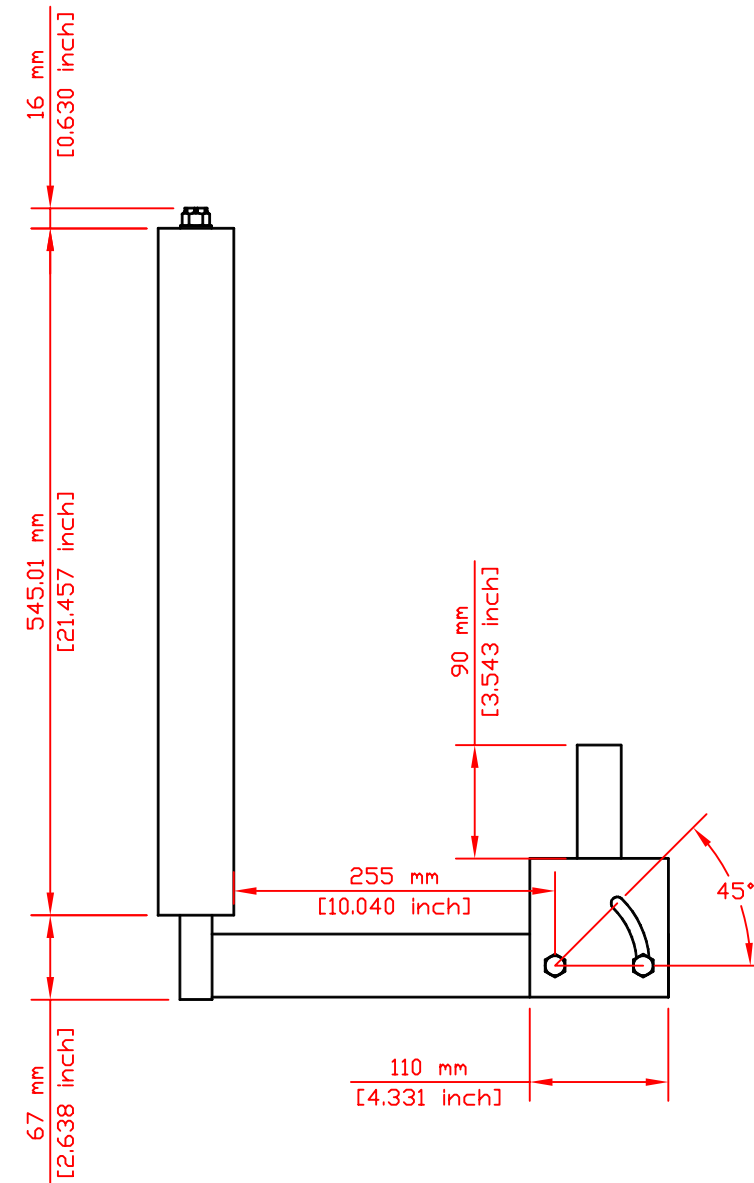
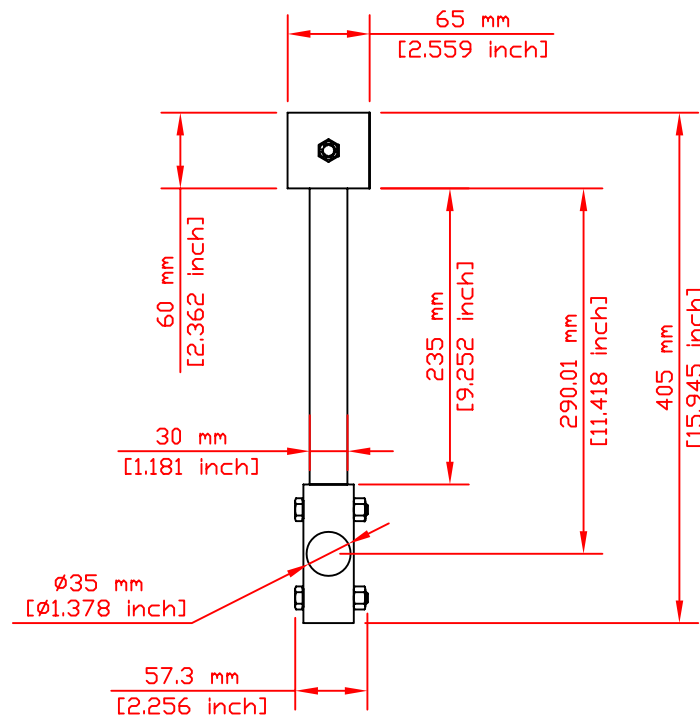
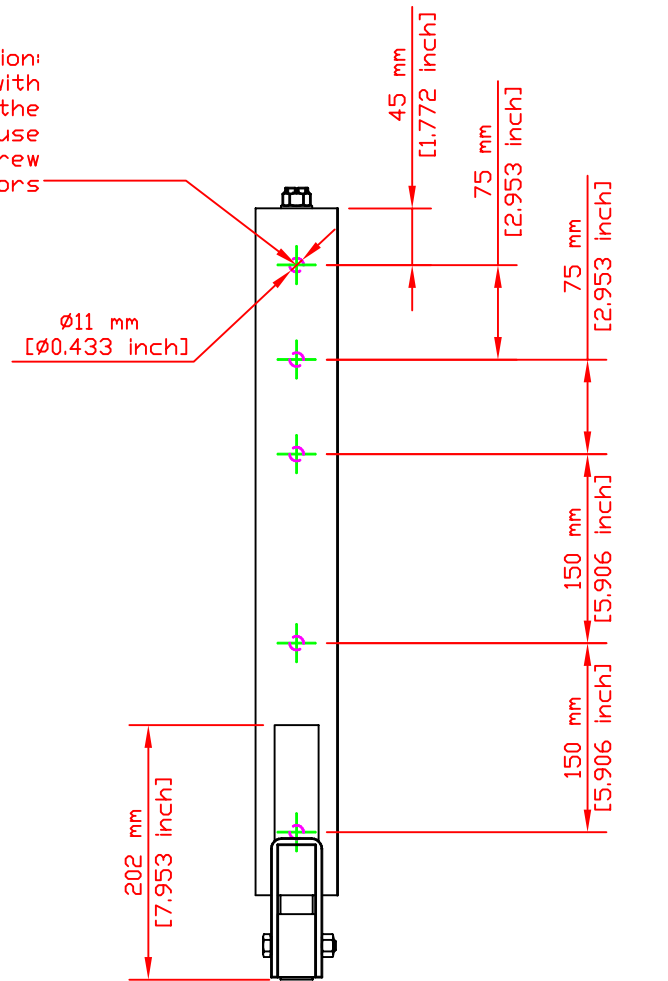


Installation:
Drill holes with
Ø15mm into the
wall and use
supplied screw
anchors



Weight 7,3 kg / 16,1 lbs	Catalog No. 1Z	Filename AWM_50.pdf	Date 12.12.2002	NOT TO SCALE	
Kling & Freitag GmbH junktorsstrasse 14 D-30179 Hannover www.kling-freitag.de			Adj. wall mount (50kg)		
			CVA0026	Rev. 1	Sheet 1/1
INFORMATION IN THIS DOCUMENT IS THE SOLE PROPERTY OF KLING & FREITAG GmbH. REPRODUCTION OF ALL OR ANY PART OF THIS DOCUMENT WITHOUT WRITTEN PERMISSION FROM KLING & FREITAG GmbH IS PROHIBITED.					