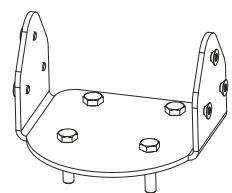


EN | VERSION 1.3 | 05/11/2023



USER'S MANUAL
K&F VIDA M Adapter Plate

Table of Content

Chapter / Content	Page
1 Introduction	4
1.1 Icons Used	4
1.2 About this user's manual	4
2 Product Description	5
2.1 Intended Use	5
2.2 Items included	6
2.3 Technical Specifications	6
2.3.1 Overview	6
2.3.2 Dimensions	7
3 Safety Instructions	8
3.1 General Safety Instructions	8
3.2 Safety Instructions When Mounting the System as a Stand	8
4 Installation	9
4.1 Determining Required Ballast	9
4.2 Required Tools and Mounting Material	10
4.3 Mounting a VIDA M onto a DesignStand	10
4.3.1 Simplified Mounting Using the Universal Joint	12
5 Dismounting	14
6 Maintenance	15
7 Transportation and Storage	15
8 Disposal	15

1 Introduction

1.1 Icons Used



This icon indicates a risk of injury or death. Not following these instructions may result in serious health problems including potentially fatal injuries.



This icon indicates a possibly dangerous situation. Not following these instructions may cause minor injuries or damage.

HINWEIS

This icon marks instructions for proper use of the described products. Not following these instructions may cause malfunctions or damage.



This icon marks information provided for simplified use of the described products.

1.2 About this user's manual

EN | Translation of the original instructions

All KLING & FREITAG manuals are originally authored in German.

© KLING & FREITAG GmbH, all rights reserved.

All specifications regarding the features of the described products and applicable safety guidelines provided in this manual are based on information available at the time of publishing.

We assume no responsibility for technical specifications, dimensions, weights, and properties.

All information in this manual is subject to change without notice.

To ensure safe operation, all persons using the speaker system must have access to these user's manual and all other relevant material during installation. The speaker system may neither be set up nor used until these user's manual has been read, understood and kept readily available in site.

KLING & FREITAG spare manuals are separately available for order or can be downloaded from our website: www.kling-freitag.de

Contact Us: info@kling-freitag.de

KLING & FREITAG GMBH, Wohlenbergstr. 5, D-30179 Hannover

Phone +49 (0) 511 96 99 70.

2 Product Description

The VIDA M Adapter Plate is designed for operating the VIDA M 110, VIDA M 110 S, VIDA M 220, or VIDA M 220 S speakers on a DesignStand Kling & Freitag VIDA L stand by H.O.F. Alutec:

Visit the following page on the H.O.F. Alutec website to find out more about generic as well as KLING & FREITAG-specific DesignStand components:

<https://shop.h-of.de/en/event-technology/excellent-line/designstand-d-line/3112/excellent-line-d4-for-kling-freitag-vida-m-und-vida-l?c=656>

2.1 Intended Use

Be sure to use the VIDA M Adapter Plate only in combination with the DesignStand K&F VIDA L stand and the appropriate stand accessories (see below) and no more than one KLING & FREITAG VIDA M speaker.

Upright operation only!

The stand is designed for indoor use only. For temporary or permanent outdoor use, make sure the system is protected against moisture at all times. This product is not designed for use in corrosive environments.

Accessories are not designed for frequent mounting to/unmounting from the speaker. Be sure to mount the accessories to a speaker no more than five times during the overall product life-cycle. Therefore, you might want to mount the accessory to an Excellent Line DesignStand Universal Header HD and leave the Universal Header HD permanently attached on the speaker.

Be sure to verify the stability of the speaker/stand system. Be sure to strictly observe the safety instructions for operation with the DesignStand D4 issued by H.O.F. Alutec at all times. The adapter is not designed for withstanding high lateral forces or shocks (for example, winds of > 25 m/s or persons running into the setup).

Never use components by manufacturers other than listed here.

Any other use as well as any use not described in this User's Guide is not an intended use.

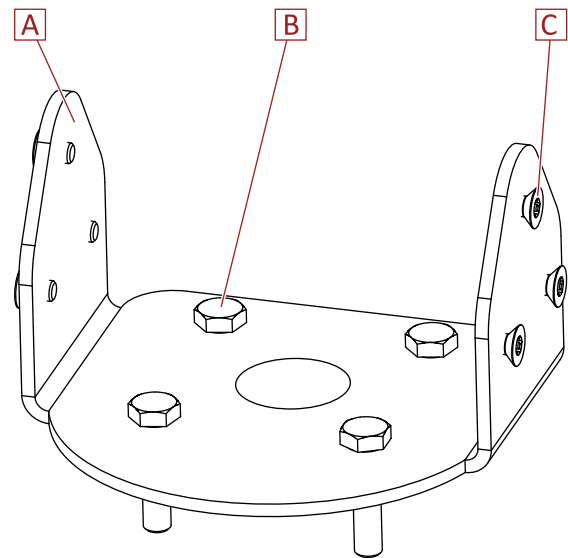
Never use components other than those made by H.O.F. Alutec for the purpose (see below) for stand configurations.

- Excellent Line DesignStand Universal Joint
- Excellent Line DesignStand Universal Header HD
- Excellent Line DesignStand extension, 40 cm
- Excellent Line DesignStand extension, 60 cm
- Excellent Line DesignStand extension, 80 cm
- Excellent Line DesignStand extension, 100 cm
- Excellent Line DesignStand extension, 200 cm
- Excellent Line DesignStand D4 Base Plate (from aluminum or steel)
- Excellent Line Weight Set for D4/S3 Stands (black, 120 kg)
- Excellent Line Weight Set for D4/S3 Stands (black, 144 kg).

Also, be sure to use only the supplied M8x35 hexagon screws (grade 8.8) and M6 x 10 countersunk screws (grade 070).

2.2 Items included

- [A]** VIDA M Adapter Plate (1 item)
- [B]** M8 x 35 hexagon screw, grade 8.8 (4 items)
- [C]** M6 x 10 countersunk screw, grade 070 (4 items)
- User's manual (1 item)

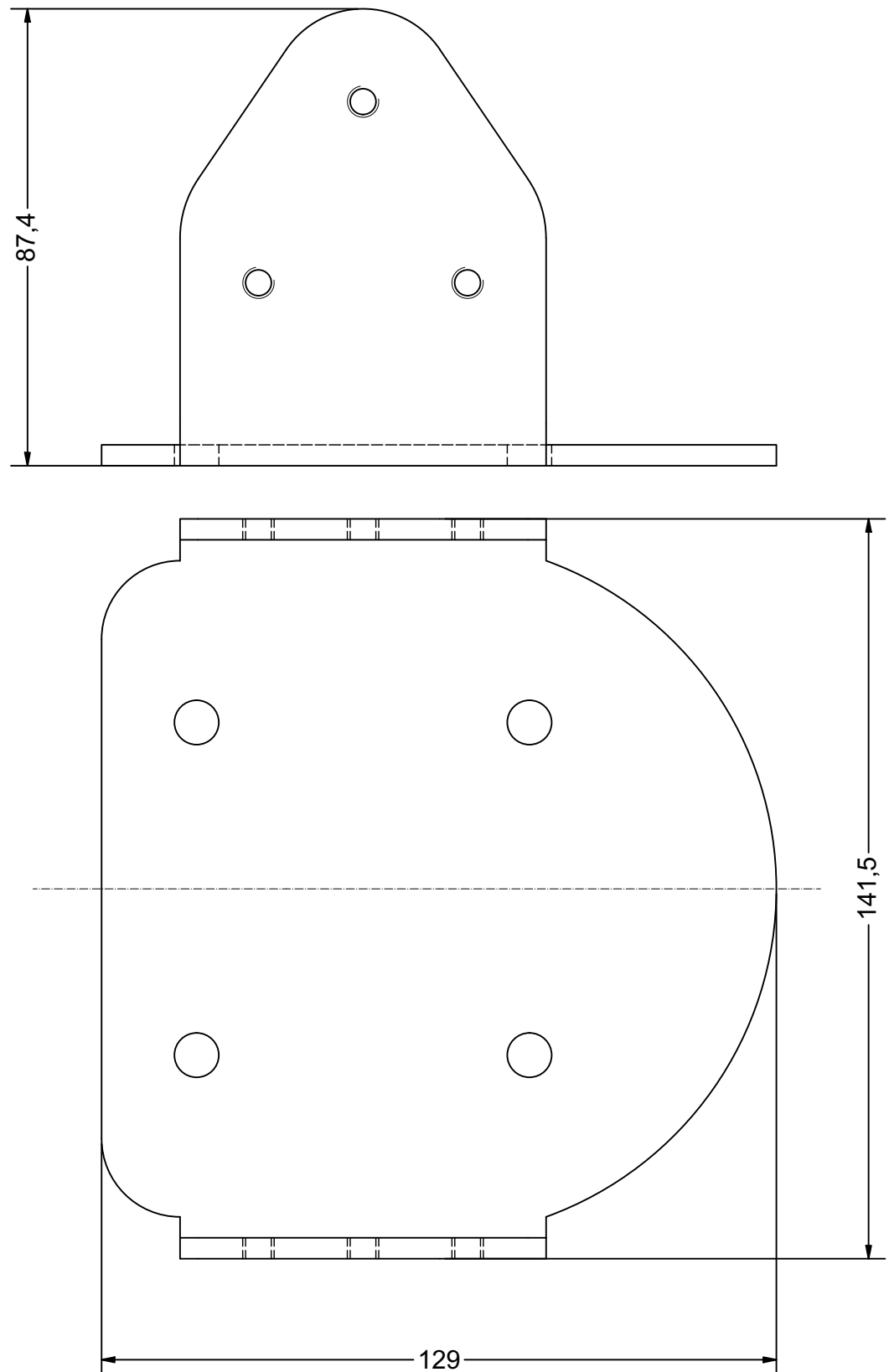


2.3 Technical Specifications

2.3.1 Overview

Load capacity	1 VIDA M speaker
Weight	0.8 kg
Colors	RAL 9005 (black), standard RAL 9010 (white), standard RAL spot color, on request

2.3.2 Dimensions



3 Safety Instructions

3.1 General Safety Instructions

The information described here does not relieve the user of the duty to follow the given safety requirements and legal regulations.

The technicians responsible for installing the system on site are responsible for and guarantee safe setup and use. They must be qualified event technicians and use appropriate personal protective equipment at all times.

To prevent injury and damage, be sure to securely place the speaker system as specified in the DGUV regulations 17 (BGV C1) or similar locally applicable accident-control standards.

WARNUNG

Risks imposed by falling or overturning parts.

Adjust the base plate appropriately, so that the stand is exactly vertical.

Always follow the technical documentation and the structural certifications on the following web page: <https://shop.h-of.de/en/event-technology/excellent-line/designstand-d-line/3112/excellent-line-d4-for-kling-freitag-vida-m-und-vida-l?c=656>

Accessories are not designed for frequent mounting to/unmounting from the speaker. Be sure to mount the accessories to a speaker no more than five times during the overall product life-cycle. Therefore, you might want to mount the accessory to an Excellent Line DesignStand Universal Header HD and leave the Universal Header HD permanently attached on the speaker.

Be sure to tighten all bolts and screws to the specified torque.

Unless otherwise stated, use only KLING & FREITAG original parts for mounting the speakers. Never use other parts (in particular, parts not made by KLING & FREITAG).

Be sure to always visually inspect all accessories and loudspeakers before use. In fixed installations, regularly check all system components for signs of wear. Visual inspection includes checking the system components of the speakers as well as the mounting components. During the inspection, check all mounting components carefully for deformations, cracks, bolt damage, and corrosion. If there are signs of wear, cracks, or deformation, etc., replace the affected parts immediately.

See also the »Maintenance« chapter on page 15.

3.2 Safety Instructions When Mounting the System as a Stand

WARNUNG

Never place stands on emergency escape routes.

For any application, always have a proof of stability issued.

This can be done on the basis of the structural analysis available on the manufacturer's website at: message URL https://shop.h-of.de/media/pdf/91/2d/ef/ELD4_Statikuebersicht.pdf

The proof of stability must be issued by a qualified event technician or a structural engineer.

Remember that placing speakers onto or removing them from speaker-stands poses specific risks. Be sure to use means suitable for the purpose (for example, lifts or platforms).

If you put up the stand in a public area, establish a minimum height of 1.6 meters (5¼') from the floor to the bottom edge of the speaker.

Be sure not to place more than one VIDA M speaker upright on the adapter plate.

4 Installation

4.1 Determining Required Ballast

To guarantee maximum stability, be sure to apply sufficient ballast to the base plate with regard to the application at hand. The manufacturer offers base plates of different weights as well as ballasts that can be combined and extended:

The following versions of the Excellent Line DesignStand D4 base plate are available:

- Aluminum, 20 mm (37 kg)
- Steel, 20 mm (103 kg)
- Steel, 25 mm (130 kg)
- Steel, 30 mm (155 kg)

The following Excellent Line Weight Sets for D4/S3 stands are available:

- 120 kg
- 144 kg

Speakers:	M110 (S)	M220 (S)
Pole height (w/o speaker)	Ballast required (incl. base plate)	
Under unfavorable wind conditions (> 25 m/s) or where persons might run into the setup (50 kg @ 1.5 m)		
3 m	676 kg	658 kg
2 m	536 kg	518 kg
1.6 m	411 kg	393 kg
Under unfavorable wind conditions (> 25 m/s) but with no person-impact risk		
3 m	451 kg	433 kg
2 m	311 kg	293 kg
1.6 m	181 kg	163 kg
Under hallwind conditions or where persons might run into the setup (50 kg @ 1.5 m)		
3 m	301 kg	283 kg
2 m	271 kg	253 kg
1.6 m	246 kg	228 kg
Under hallwind conditions but with no person-impact risk		
3 m	78 kg	63 kg
2 m	49 kg	37 kg
1.6 m	37 kg	37 kg
No winds but persons might run into the setup (50 kg @ 1.5 m)		
3 m	201 kg	186
2 m	201 kg	186
1.6 m	201 kg	186
No winds and no person-impact risk		
3 m	37 kg	37 kg
2 m	37 kg	37 kg
1.6 m	37 kg	37 kg

Always follow the technical documentation and the structural certifications on the following web page: <https://shop.h-of.de/en/event-technology/excellent-line/designstand-d-line/3112/excellent-line-d4-for-kling-freitag-vida-m-und-vida-l?c=656>

4.2 Required Tools and Mounting Material

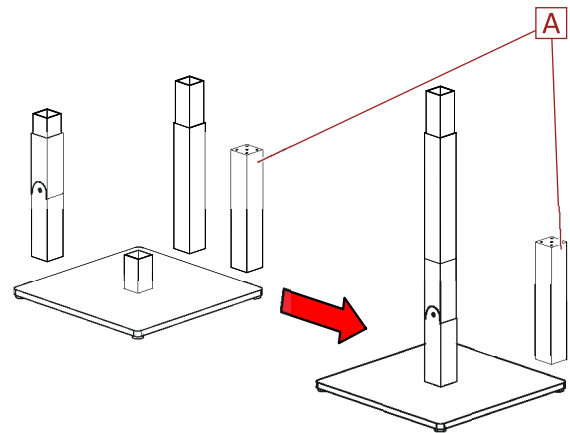
Required Tools	Required mounting material
IH4 torque wrench with hexagon-socket drive and 3 Nm torque	Loctite 2400 (supplied with the speaker)
Hexagon key, size 13 mm	

4.3 Mounting a VIDA M onto a DesignStand

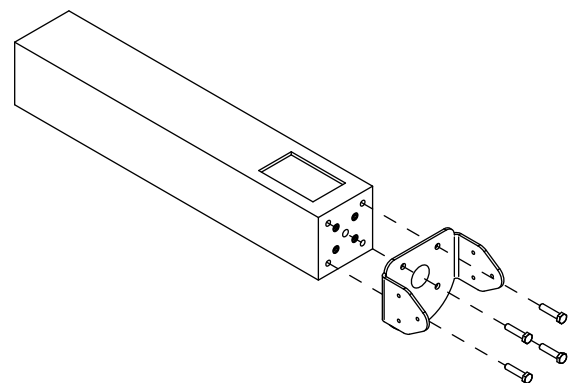


Mount the Adapter Plate to an Excellent Line DesignStand Universal Header HD (reinforced version) by H.O.F. Alutec only! Alutec only!

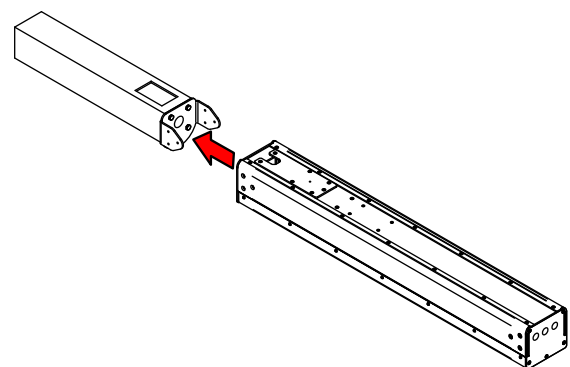
1. Adjust the stand to the desired height but don't mount the Universal Header HD [A] yet.



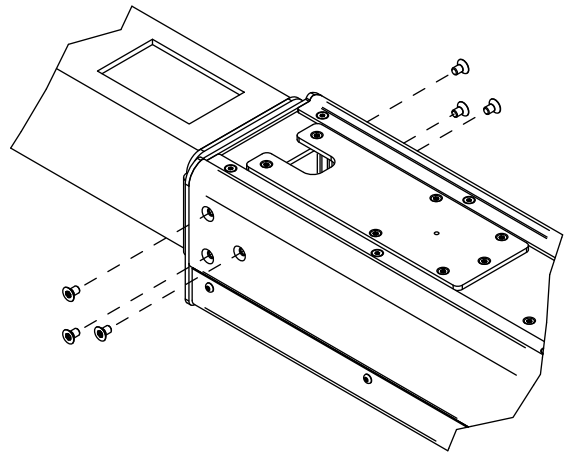
2. Apply Loctite® 2400 to the threads of the supplied M8 x 35 hexagon screws.
3. Screw the Adapter Plate onto the Universal Header HD using those screws.



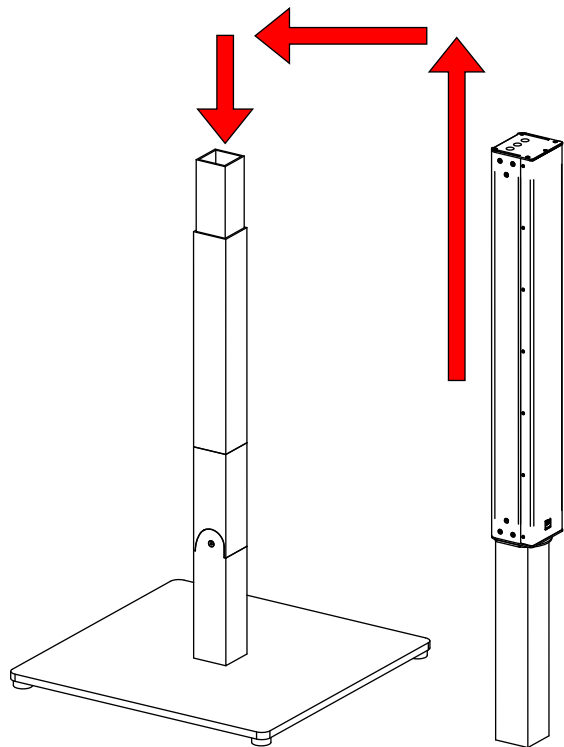
4. Slide the mounting-plate tabs into the corresponding inlets of the speaker.



5. Apply Loctite® 2400 to the threads of the M6x10 counter-sunk screws.
6. Screw the Adapter Plate to the speaker using those screws.
For that purpose, use an hexagon socket wrench (size IS4).
Tighten the screws to a 3 Nm torque.

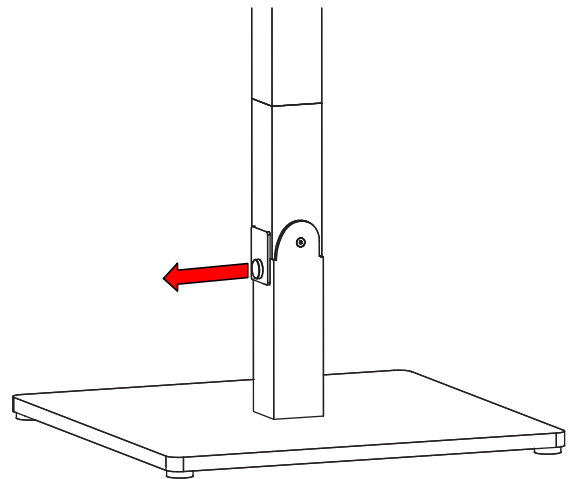


7. Lift the VIDA M using a suitable lift and slide it onto the stand with the Universal Header HD attached.

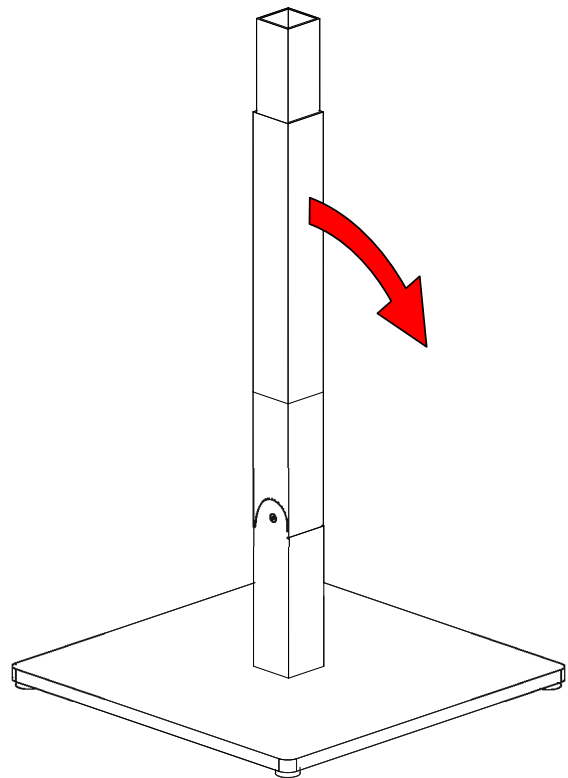


4.3.1 Simplified Mounting Using the Universal Joint

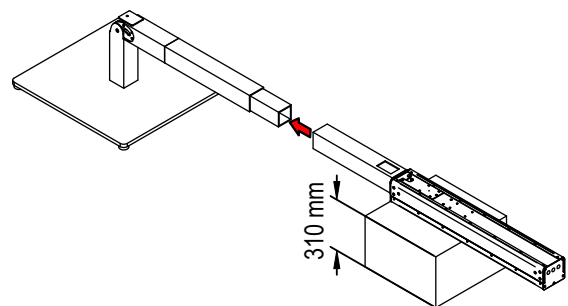
1. Perform steps 1 to 6 of the previous section.
2. Remove the thumbscrew at the stand joint.



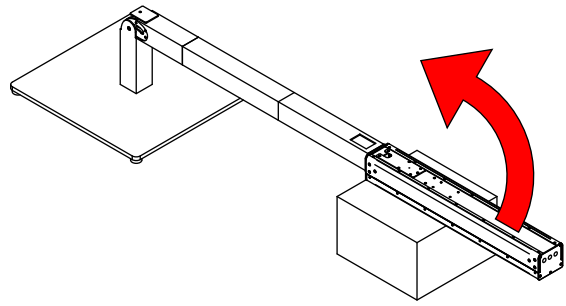
3. Fold the stand down.



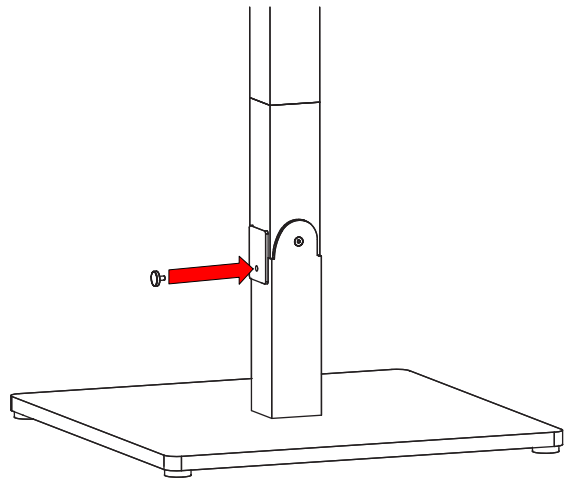
4. Set up a support of about 310 mm height and place the VIDA M on it front-side down. Take careful not damage the speaker with the support.
5. Fully slide the VIDA M with the Universal Header HD attached onto the stand.



6. Put up the stand with the speaker mounted.
Depending on the ground conditions, a third person might be required for preventing slipping of the stand plate.



7. Lock the stand joint by screwing the hand wheel into the joint detent.
8. Secure the stand against tipping or falling.



5 Dismounting

Basically, unmounting the speakers is performed in reverse order of the installation process; however, note that the Universal Header HD permanently remains attached to the speaker. Avoid frequently mounting/unmounting the accessory to/from the speaker.

**TIPP**

After unmounting, store all speakers and accessories in the transportation case. This way, they cannot get lost and are always at hand when needed. In addition, the parts are protected at least temporarily against the effects of unfavorable weather conditions, etc.

6 Maintenance

WARNUNG

For the owner and user, it is mandatory to be aware that speaker accessories used to fly or mount the speakers are fundamentally safety-relevant.

Over time, the accessories may exhibit signs of wear, for example, from mechanical strain, transport damage, corrosion, or improper handling.

As a basic principle, you must visually inspect the speaker accessory before and after you use it. For fixed installations, you must inspect it for signs of wear at regular intervals.

When performing those checks, particularly look for deformations, cracks, dents, damage to threads, and corrosion. Also check slings and lifts (e.g. shackles, chains, and steel ropes) carefully for wear and deformation.

If as a result of these checks any uncertainty should arise with regard to safety or if specific faults are found, stop using the accessories and send in the product to KLING & FREITAG GmbH for inspection and repairs, if necessary.

Inspection regulations may vary depending on application and country of use. Observe all applicable regulations; If in doubt, contact local authorities.

Many countries require regular inspection of mounting components and accessories. An additional annual inspection is typically required to be performed by a technical expert. Moreover, a legally certified or official authority must perform a detailed inspection every four years.

Therefore, be sure to maintain an inspection log. Enter the values determined for each speaker and accessory during the periodic checks into this log. This way, relevant data are always at hand in case of inspection. This inspection log book shall be updated with the inspection steps, test intervals and parts lists.

Clean this speaker accessory regularly using a corrosion-prevention penetrating oil (for example, WD-40).

7 Transportation and Storage

Store the product in a dry place. Also, transport under dry conditions only.

During prolonged storage, ensure sufficient ventilation.

In addition, protect all system parts and K&F VIDA M accessories from mechanical strains in order to prevent damage.

8 Disposal

Dispose of this product according to local ordinance regulations.



KLING & FREITAG GmbH

Wohlenbergstr. 5 · D-30179 Hannover

Phone +49 (0)511 969970

www.kling-freitag.de · info@kling-freitag.de