

# Quick Release Pin K&F 'FIXING PIN'



## User's Manual

Translation of the original instructions

Version 1.6

Released: 20.01.2017



**Important Information,  
Please Read Before Use!**

KLING & FREITAG GmbH  
Wohlenbergstrasse 5  
D-30179 Hannover  
TEL +49 (0) 511 96 99 70  
FAX +49 (0) 511 67 37 94  
[www.kling-freitag.de](http://www.kling-freitag.de)





---

## Table of contents

---

<b>1</b>	<b>Introduction</b>	<b>4</b>
1.1	Icons Used	4
1.2	About these user's manual	4
<b>2</b>	<b>Product Description</b>	<b>5</b>
2.1	Items Included	5
2.2	Components	5
<b>3</b>	<b>Safety Instructions</b>	<b>6</b>
3.1	Mounting the Speakers / Wall and Ceiling Installation	6
3.2	Intended Use	6
3.3	Admissible load capacity	6
<b>4</b>	<b>Installation and Usage Instructions</b>	<b>6</b>
4.1	Using the FIXING PIN	6
<b>5</b>	<b>Transportation and Storage</b>	<b>8</b>
<b>6</b>	<b>Care and Maintenance</b>	<b>8</b>
<b>7</b>	<b>Dimensions and Weight</b>	<b>9</b>
<b>8</b>	<b>Disposal</b>	<b>9</b>
<b>9</b>	<b>EC Declaration of Conformity</b>	<b>10</b>

---

## 1. Introduction

Thank you for purchasing a KLING & FREITAG product. To guarantee trouble-free operation and enable the KLING & FREITAG FIXING PIN speaker system to achieve its full potential, please read these user's manual carefully before use. This item is a quality accessory for the FIXING PIN speaker system. Combining it with your existing speaker system creates an extremely versatile pro-grade tool that meets all requirements in terms of audio quality and safe installation.

### 1.1 Icons Used



Warning

This icon indicates a risk of injury or death. Not following these instructions may result in serious health problems including potentially fatal injuries.



Caution

This icon indicates a possibly dangerous situation. Not following these instructions may cause minor injuries or damage.



Notice

This icon marks instructions for proper use of the described products. Not following these instructions may cause malfunctions or damage.



Tip

This icon marks information provided for simplified use of the described products.

### 1.2 About these user's manual

© KLING & FREITAG GMBH. All rights reserved.

All specifications regarding the features of the described products and applicable safety guidelines provided in these user's manual are based on information available at the time of publishing.

We assume no responsibility for technical specifications, dimensions, weights, and properties.

All information in these user's manual is subject to change without notice.

**To ensure safe operation, all persons using the speaker accessories must have access to this guide and all other relevant material during installation. The speaker accessories must not be set up nor operated unless these user's manual has been read, understood and kept readily available on site.**

The original language of all KLING & FREITAG user's manuals is German.

If you need user manuals from KLING & FREITAG, you can order a replacement or download it from our [www.kling-freitag.de](http://www.kling-freitag.de).

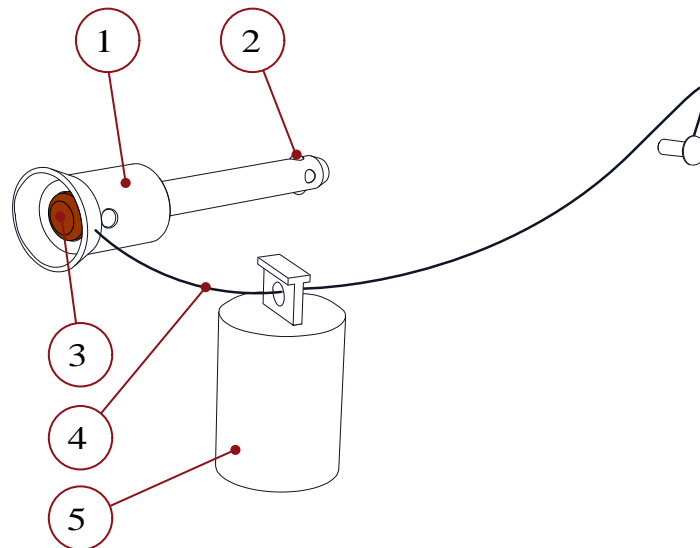
Contact: info@kling-freitag.de  
KLING & FREITAG GMBH, Wohlenbergstr. 5, D-30179 Hannover  
Telefon +49 (0) 511 96 99 70, Telefax +49 (0) 511 67 37 94

## 2. Product Description

### 2.1 Items Included

- FIXING PIN inclusive lanyard und safetycap
- (1x) User's Manual

### 2.2 Components



1. Quick Release Pin KLING & FREITAG 'FIXING PIN'
2. lock balls
3. lock button
4. Lanyard
5. Safety cap, to protect against thoughtless pressing the 'FIXING PIN'

## 3. Safety Instructions

### 3.1 Mounting the Speakers / Wall and Ceiling Installation



Warning

Suspended loads pose a safety risk.

Only qualified technicians are permitted to perform the installation steps. Be sure to use personal protective equipment at all times.

The technicians installing the speaker on site are responsible for and guarantee safe setup and use.

Never use signal cables or power cords for suspending, aligning, or securing the systems.

Before installing, check the stability, strength, and materials of walls, ceilings, and boarding. For example, use suitable rawplugs for wall panels and make sure the strength is sufficient.

Note that the suspension points on the hall ceiling (i.e. shackles, attachment points, or chain hoists) must comply with the DGUV regulations 17 and 18 or similar locally applicable accident-control standards. The maximum load must have been certified by an authorized expert.

Be sure to tighten all bolts and screws to the specified torque.

Unless otherwise stated, use only KLING & FREITAG original parts for mounting the speakers. Never use other parts (in particular, parts not made by KLING & FREITAG).

Make sure all fittings used are suitable for the task at hand and meet all relevant safety requirements.

Ensure that all connections are secured against coming loose and that only authorized, statically tested and correctly sized supports, mounting equipment, wire ropes and chains are used.

Be sure to always visually inspect all safety-related speaker and accessory components before use. If there are signs of wear, cracks, or deformation, etc., replace the affected parts immediately. Visual inspection also includes checking all screwed connections of supporting components.

The information described here does not relieve the user of the duty to follow the given safety requirements and legal regulations.

### 3.2 Intended Use



Warning

The accessories must be used only for the prescribed purpose and in the stated manner laid down in this document. FIXING PIN

The FIXING PIN may not be used to lift and secure people or objects other than the above-mentioned speaker systems.

The FIXING PIN is protected from temporary climatic conditions. For long-term use, however, it is designed to be used indoors only.

### 3.3 Admissible load capacity



Warning

The speaker accessories FIXING PIN may only be used with a speaker of the type PASSIO with a maximum weight of 6.5 kg (BGV C1).

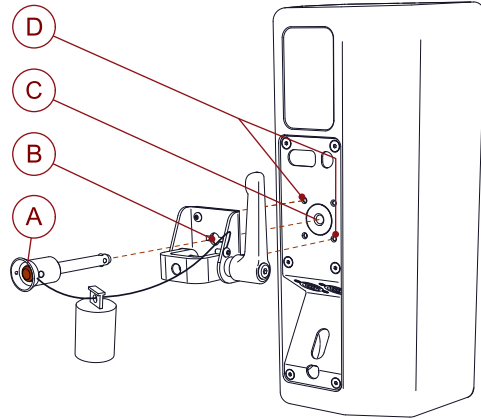
## 4. Installation and Usage Instructions

## 4.1 Using the FIXING PIN

The FIXING PIN has lock balls. By pushing the button in the middle of the pin, you can release these balls and then insert or remove the pin. As long as you do not push the button in the middle of the pin, you should not be able to pull out the pin.

The accessory FIXING PIN Schwenkbügel [§] can exhibit signs of wear over the years, i.e. from mechanical strain, transport damage, corrosion, or improper handling. Remember that flying speakers always impose a high safety risk.

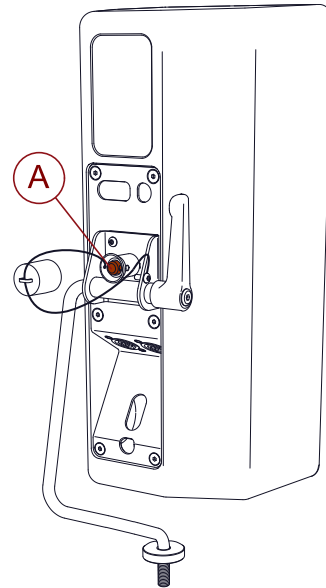
1. Place the speaker on a stable support.
2. Press the release button A.
3. Insert the FIXING PIN through the mounting hole of the accessories B in the bore of the K & F VariPoints C.
4. Align the accessory.



1. Let go of the release button when you have completely inserted the bolt so that the release button pops back up.  
AA

**To make sure that the FIXING PIN is locked, be careful when releasing the release button to hear a clicking sound.**

2. Make sure that the accessory is fixed securely to the speaker.
3. Drag the safety cap over the FIXING PIN.



## 5. Transportation and Storage

The speaker accessory FIXING PIN is protected against short term moisture. Store, transport, and use the accessories in dry environments only. This speaker accessory is not designed for long-term use in a corrosive environment.

Make sure that the system is adequately ventilated during longer storage periods so any residual moisture can escape from the equipment.

Furthermore, you have to ensure that the accessory FIXING PIN is protected from mechanical strain to prevent possible damage.

## 6. Care and Maintenance



Warning

1. For the owner and user, it is mandatory to be aware that speaker accessories used to fly or mount the speakers are fundamentally safety-relevant.

The accessory FIXING PIN can exhibit signs of wear over the years, i.e. from mechanical strain, transport damage, corrosion, or improper handling.

As a basic principle, you must visually inspect the speaker accessory before and after you use it. FIXING PIN For fixed installations, you must inspect it for signs of wear at regular intervals.

When performing those checks, particularly look for deformations, cracks, dents, damage to threads, and corrosion. Also check slings and lifts (e.g. shackles, chains, and steel ropes) carefully for wear and deformation.

If as a result of these checks any uncertainty should arise with regard to safety or if specific faults are found, stop using the accessories and send in the product to KLING & FREITAG GMBH for inspection and repairs, if necessary. FIXING PIN

**Inspection regulations may vary depending on application and country of use. Observe all applicable regulations; when in doubt, contact the local authorities.**

Many countries require regular inspection of mounting components and accessories. An additional annual inspection is typically required to be performed by a technical expert. Moreover, a legally certified or official authority must perform a detailed inspection every four years.

Therefore, be sure to maintain an inspection log. Enter the values determined for each speaker and accessory during the periodic checks into this log. This way, relevant data are always at hand in case of inspection. The log should also document maintenance measures and inspection intervals and contain parts lists.

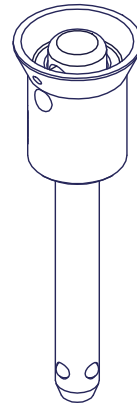
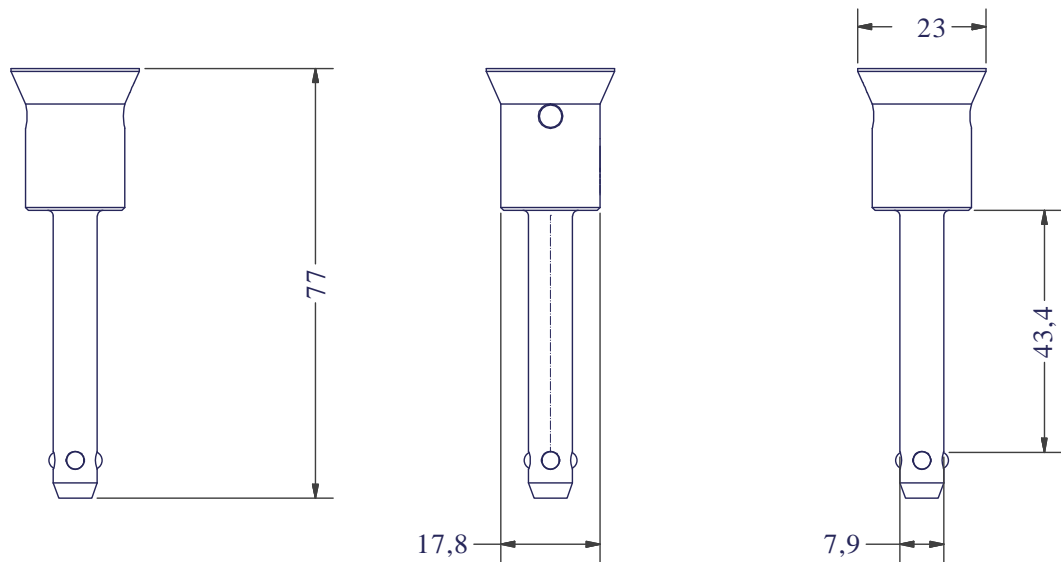
2. Clean this speaker accessory regularly using a corrosion-prevention penetrating oil (for example, WD-40®).



## 7. Dimensions and Weight

weight: 65 g

bearing capacity: 50 kg



## 8. Disposal

Dispose of this product in compliance with your national regulations.

Ensure that after being disposed of that this product cannot be used again or in any other way.

## 9. EC Declaration of Conformity

applicable to all products designated hereafter and distributed by KLING & FREITAG GmbH including model variants unless these products have been altered afterwards.

### Mechanical speaker accessories:

FIXING PIN	Mounting bracket GRAVIS 12
LIFTING PIN	SEQUENZA 10 B (Rigging components)
Pin-Joint Adapter PASSIO	SEQUENZA 10 (Flying Frame)
Adjustable Speaker Mount PASSIO	SEQUENZA 10 N/W (Rigging systems)

We declare that the designated product(s) are in conformity with the protection requirements imposed by the following EU directives:

<b>Machinery Directive</b>	<b>2006/42/EC</b>
----------------------------	-------------------

Conformance of the products with the requirements is approved by compliance with the following harmonized European standards:

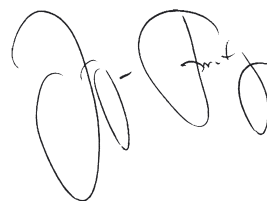
**DIN EN ISO 12 100**  
**DIN EN ISO 18 800**  
**DIN 4113-1 / A1 \***  
**BGV C1**

\*) if aluminium components are installed as supporting parts.

The operating conditions specified in these user's manual must be met accordingly.

This declaration is issued under sole responsibility of the manufacturer:

**KLING & FREITAG GmbH**  
**Junkersstr. 14, D-30179 Hannover, Germany**



Hannover, 16th May 2013

Jürgen Freitag  
 (Managing Director / CEO)