

# K&F SW 115E – SP



- 15" High-performance subwoofer with integrated driver and power amplifier technology
- Frequency range down to 37 Hz (-10dB)
- Stacking foot grooves for SW 115E stacks or combinations with SW 215E and Line 212
- High achievable maximum 126 dB (SPL peak/1 m/half room)

The SW 115E – SP is usable as an active 'Plug & Play' subwoofer for a variety of purposes when a powerful and sophisticated bass playback with high sound pressure levels is demanded. The SW 115E – SP exhibits a convincing bass supplement for many passive K&F speakers and all models of the active K&F SP-Series.

Characteristics of the SW 115E – SP include its exceedingly precise bass playback, superior bass performance, compact dimensions, and sensible equipment features.

The active system electronics include a convection-cooled and highly efficient digital 1 kW power amplifier. They take over the system equalisation, determine the crossover frequency, and optimise the phase response. An extensive limiter section with RMS and peak limiters provides for a high level of operating safety.

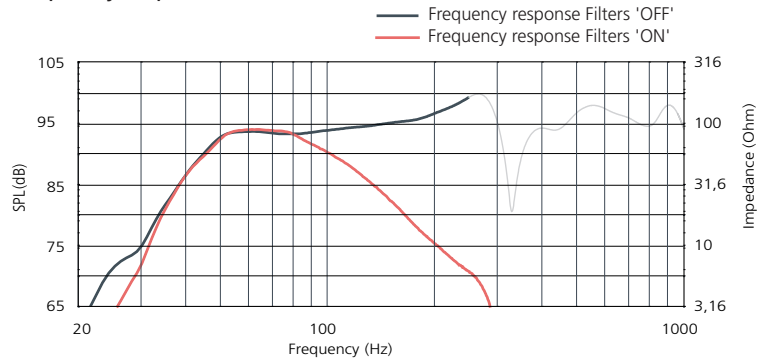
The enclosure of the SW 115E – SP is equipped with stacking foot grooves and plastic feet which allow for simple stacking of several SW 115E – SP as well as combinations with the SW 215E and the full-range system Line 212.

The SW 115E – SP is equipped with a 15" state-of-the-art chassis, which represents the current status of technical feasibility. Using maximal linear excursion and load capacity, it can exactly process even the highest peak pulses. An extremely stable and elaborate tunnel and enclosure construction minimise friction loss and distortion, which may occur as a result of high air velocity.

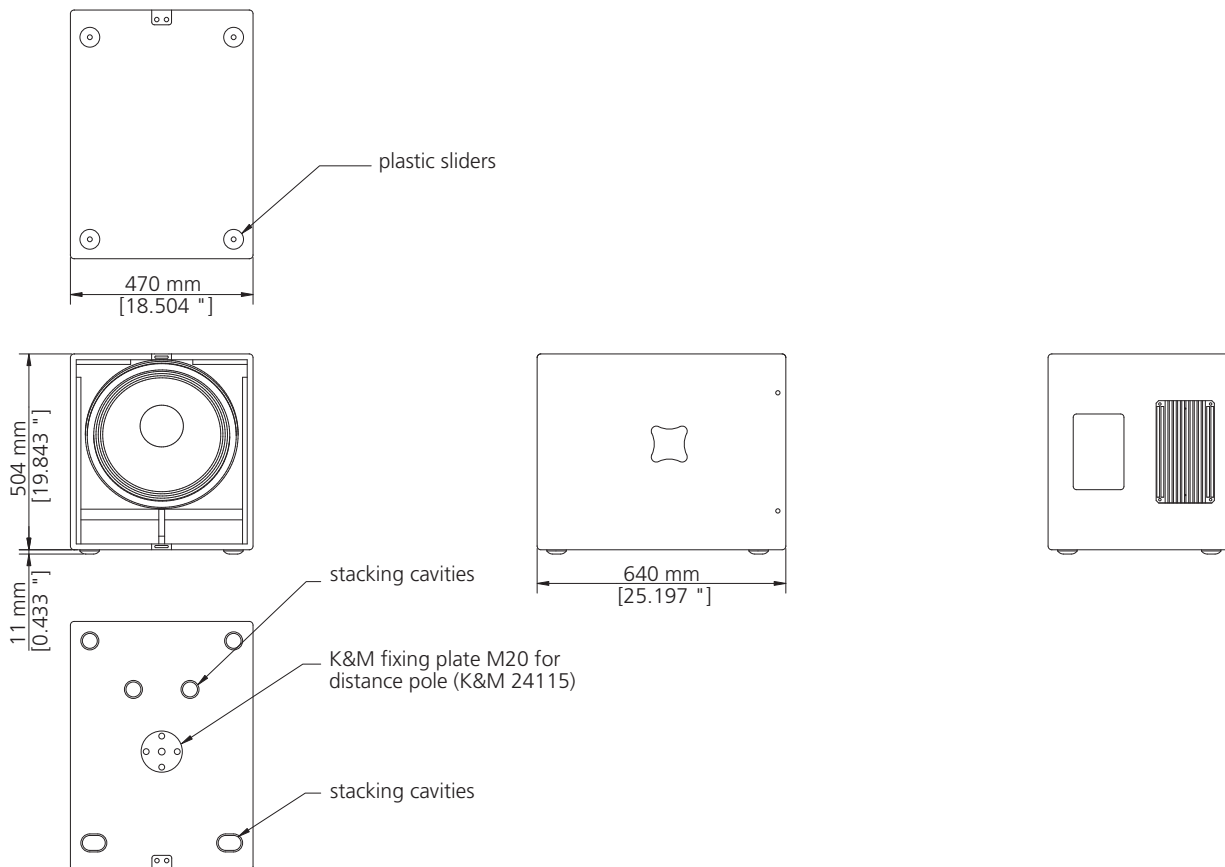
The SW 115E – SP is a subwoofer system, which ideally interlinks excellent bass playback, high maximum sound pressure, and a compact design. Optimally suited for applications at the highest level.

<b>Loudspeaker</b>	
Design	Bass reflex system with integrated driver and power amplifier technology
Lower cut-off frequency -10 dB	37 Hz (FILTERS 'ON')
Frequency range $\pm 3$ dB	43 Hz – 150 kHz (FILTERS 'OFF') 42 Hz – 115 Hz (FILTERS 'ON')
Max. SPL	126 dB (SPL peak/1 m/half room)
Components	15" long excursion chassis, 100 mm voice coil, double centering, internal and external ventilation, Aluminium demodulation ring for minimal distortion
Input connectors	LINE IN: XLR 3 pin female, LINE OUT: XLR 3 pin male, parallel with LINE IN, Pin 1=ground/pin 2+=signal/pin 3=-signal
Power connectors	1 x Neutrik PowerCon lockable, 1 x input and 1 x output
<b>Input module</b>	
Input sensitivity	+6 dB/1.55 Vrms for rated output
Input impedance	50 k $\Omega$ (balanced/unbalanced)
Common mode rejection	Min.: 74 dB, typical: 90 dB
Controls	Level control $\pm 6$ dB, bypass switch for the active filters (for operations with K&F Sytem Controller), ground lift switch
Display	Bi-coloured LED: green=Power On, red=Limit/Protect
Driver circuit	High-pass 32 Hz (-3 dB), 24 dB/octave (FILTERS 'ON'), Low-pass 110 Hz (-6 dB), 24 dB/octave (FILTERS 'ON'), Phase correction, frequency equalization (EQ) peak limiter, RMS limiter
<b>Amplifier module</b>	
Type	Class D
Power	1000 W @ 8 W (EIAJ)
Power bandwidth	10 Hz to 30 kHz
Damping factor	>500 (100 Hz), >100 (10 kHz)
S/N ratio	>105 dB (A)
Cooling	Air convection (without fan)
Protection circuits	Short circuit, over-temperature, clipping, overload
Supply voltage	230 V version: AC 195 – 250 V, 50/60 Hz alternative 115 V version: AC 95 – 125 V, 50/60 Hz
Rated power consumption	@ 230 V: 1.25 A      @ 115 V: 2.5 A
Max. power consump. (Irms<500 ms)	@ 230 V: 7 A      @ 115 V: 14 A
Idle current	@ 230 V: 200 mA      @ 115 V: 400 mA
<b>Enclosure</b>	
	15 mm birch plywood with highly resistant structured paint (PU) in RAL 9005 (black), 2 ergonomic butterfly handles, K&M mounting plate M20 for distance rod, 4 non-abrasive plastic sliders, stacking foot grooves for stacking of identical enclosures or SW 215E as well as Line 212, 2 locking profiles for optional transport cover with castors, ball proof steel grille with exchangeable, acoustic foam (black) in front of the grille
Weight	37.3 kg
Colour	RAL 9005 (black)
Dimensions (W x H x D)	470 x 515 x 640 mm
Options	'Special finish in RAL colours'
Accessories	see catalogue or visit <a href="http://www.kling-freitag.de">www.kling-freitag.de</a>

Frequency response 'on axis'



All measurements under free field conditions. Frequency diagrams 1/6 octave averaged.  
The manufacturer reserves the right to make product alterations to improve product quality without prour notice. Errors excepted.



Further information and data like specifications, manuals, technical drawings as DWG, DXF and PDF files as well as data files for acoustic simulations with Ease and Ulysses are available on our web site [www.kling-freitag.de](http://www.kling-freitag.de)

**KLING & FREITAG GmbH**  
Wohlenbergstr. 5  
D-30179 Hannover  
Tel. +49 (0)511 96 99 7-0  
Fax +49 (0)511 96 99 7-97