

K&F CA 1215-6 – SP



- 2-way full-range system with integrated driver and power amplifier technology
- 12" low-mid chassis
- 1.5" high-frequency driver on a rotatable 65° x 50° CD horn
- 130 dB max. SPL

The CA 1215-6 – SP is intended as an active plug-and-play full-range system for high-quality sound reinforcement at medium listening distances. The precise radiation characteristics of the CA 1215-6 – SP facilitate an on-target acoustic coverage and are well-suited to use in a cluster array. Natural reproduction of speech and music, even at high volume levels, characterize the CA 1215-6 – SP.

The high performance and flexibility of the CA 1215-6 – SP are convincing in a wide range of applications, both in mobile use and installed in theatres, opera houses, discos, live clubs, all-purpose halls or TV and radio studios.

For applications requiring more bass response the CA 1215-6 – SP, with its internal phase alignment, can be easily combined with all K&F SP series subwoofers.

The completely noiseless convection-cooled system electronics contain the highly efficient digital 1 kW Class D power amplifier and take care of the specific basic equalization. Optimum operating safety is provided by the limiter section with its RMS limiter in feed-forward configuration, followed by the peak limiter in feed-back design. Thus equipped one can do without the addition of a controller.

The compact enclosure with 5 flying points, carrying handles and stand adapter make for a quick and secure set-up.

The CA 1215-6 – SP is without doubt a highly effective tool among professional top-class self-powered speaker systems.

K&F CA 1215-6 – SP

Design	2-way full-range system with integrated driver and power amplifier technology, bass reflex tuning
Frequency response -10 dB	58 Hz – 22 kHz (FILTERS 'OFF')
Frequency response -10 dB	80 Hz – 19 kHz (FILTERS 'ON' and 'OFF')
Coverage angles nominal	65° x 50° (hor. x vert.), rotatable horn
Max. SPL	130 dB (SPL peak/1 m)
Components	1" high frequency driver with 45 mm titanium dome on CD horn 12" low-mid chassis
Connectors	LINE IN: XLR 3 pin female LINE OUT: XLR 3 pin male, parallel with LINE IN Pin 1=ground/Pin 2+=signal/Pin 3=-signal Neutrik PowerCon lockable, 1 input, 1 x output

Input Module

Input sensitivity	+6 dB/1.55 Vrms for rated output
Input impedance	50 kΩ (balanced/unbalanced)
Common mode rejection	Min.: 74 dB, typical: 90 dB
Controls	Level control ±6 dB, bypass switch for the active filters (for operations with K&F System Controller), ground lift switch

Display	Bi-coloured LED: green=Power On, red=Limit/Protect
Driver circuit	High pass 45 Hz (-3 dB), 24 dB/octave (FILTERS 'ON'), Phase correction, frequency equalisation (EQ), peak limiter, RMS limiter

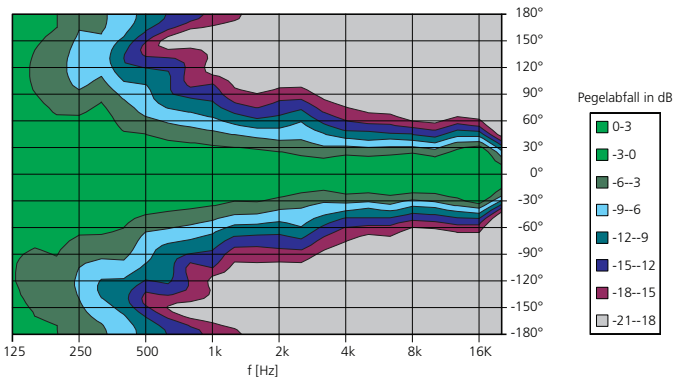
Amplifier Module

Type	Class D
Power	1000 W @ 8 Ω (EIAJ)
Power bandwidth	10 Hz to 30 kHz
Damping factor	>500 (100 Hz), >100 (10 kHz)
S/N ratio	>105 dB (A)
Cooling	Air convection (without fan)
Protection circuits	Short circuit, over-temperature, clipping, overload
Supply voltage	230 V version: AC 195 – 250 V, 50/60 Hz
alternative	115 V version: AC 95 – 125 V, 50/60 Hz
Power consumption nominal	@ 230 V: 1,25 A @ 115 V: 2,5 A
Burst current (Irms/<500 ms)	@ 230 V: 7 A @ 115 V: 14 A
Idle Current	@ 230 V: 200 mA @ 115 V: 400 mA

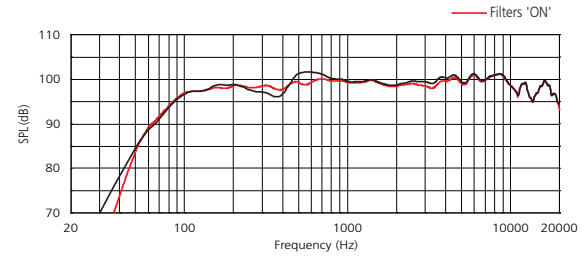
Enclosure

	Trapezoidal enclosure out of 15 mm multiplex with highly resistable structured paint (PU) in RAL 9005 (schwarz), 2 butterfly handles, mounting flange K&M 19656, 5 flying points 'allsafe Jungfalk', ball proof steel grille with exchangeable acoustic foam (black) in front of the grille
Dimensions (W x H x D)	379 x 605 x 375 mm
Weight	33.5 kg
Colour	RAL 9005 (black) RAL special colour
Accessories	See catalogue or www.kling-freitag.com

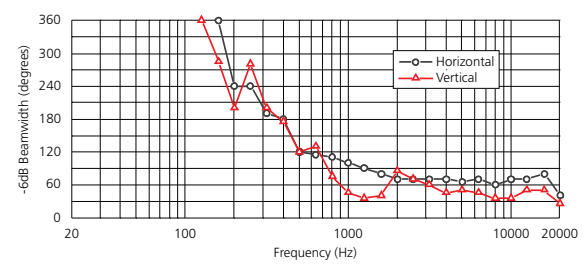
Horizontal radiation pattern



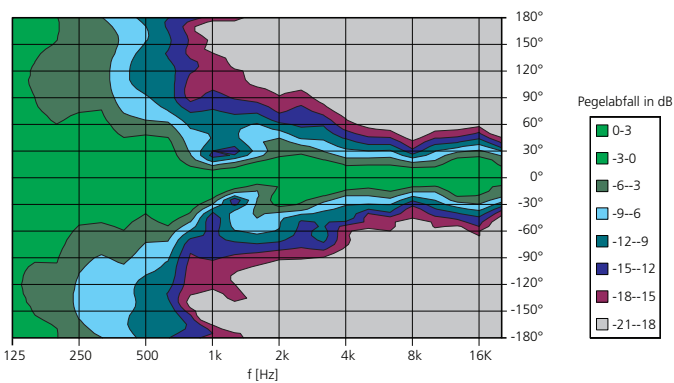
Frequency response 'on axis'



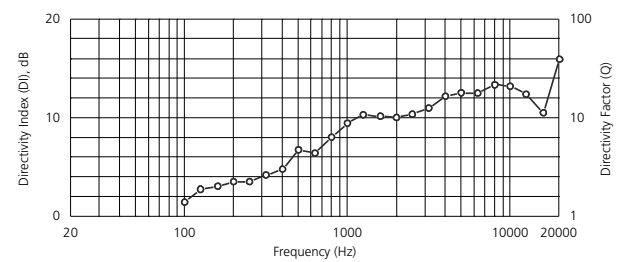
Beamwidth vs. frequency



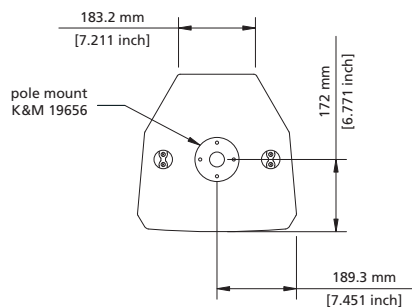
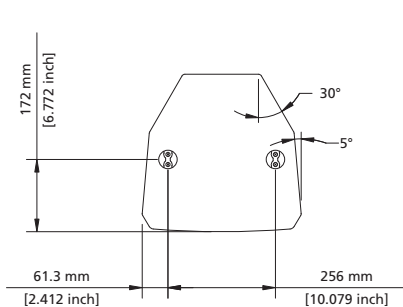
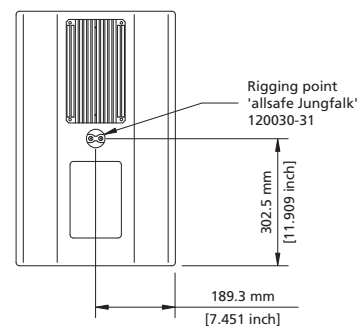
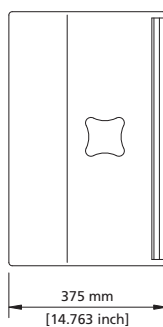
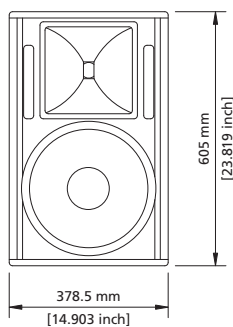
Vertical radiation pattern



Q-Index



All measurements under free field conditions. Frequency diagrams 1/6 octave averaged, radiation and polar pattern 1/3 octave averaged. The manufacturer reserves the right to make product alterations to improve product quality without prior notice. Errors excepted.



Further information and data like specifications, manuals, technical drawings as DWG, DXF and PDF files as well as data files for acoustic simulations with Ease and Ulysses are available on our web site www.kling-freitag.de

KLING & FREITAG GmbH
Wohlenbergstr. 5
D-30179 Hannover
Tel. +49 (0)511 96 99 7-0
Fax +49 (0)511 96 99 7-97