

# K&F CA 1001 – SP



- 2-way full-range system with integrated driver and power amplifier technology
- 10" low-mid chassis
- 1" high-frequency driver on a rotatable 85° x 55° CD horn
- 124 dB max. SPL

The CA 1001 – SP is an active plug-and-play full-range system for high-quality assertive sound reinforcement in near field to medium listening distances.

As the smallest model of the SP Series, the CA 1001 – SP is extremely flexibly applicable as, for example, a discreet P.A. system for individual use, in combination with subwoofers as a centre and offset speaker, or as a compact stage monitor. As compared to its compact dimensions, the CA 1001 system possesses astounding low-range qualities.

The system electronics contain the completely noiseless convection-cooled and highly efficient digital 1 kW Class D power amp and take care of the specific basic equalisation. Optimum operating safety is provided by the limiter section with its RMS limiter in feed-forward configuration, followed by the peak limiter in feed-back design. Thus equipped one can do without an additional controller.

The convincing total concept of the active CA 1001 – SP is supplemented by the multifunctional enclosure with an inconspicuously integrated handle groove and a steep monitor angle of 54° which makes it especially well-suited for small stages. A total of 7 thread inserts are available for mounting on a stand and with adjustable speaker mounts or U-mounts. The unobtrusive and practical design of the system is ideally suited for permanent installations and for mobile uses.

The outstanding sound qualities combined with the high flexibility, simple handling, and phenomenal power capabilities help make the CA 1001 – SP a highly flexible tool in the top class of professional active speaker systems.

K&F CA 1001 – SP	
Design	2-way full-range system with integrated driver and power amplifier technology, bass reflex tuning
Frequency response -10 dB	53 Hz – 20 kHz (FILTERS 'OFF')
Frequency response -10 dB	82 Hz – 19 kHz (FILTERS 'OFF') 73 Hz – 19 kHz (FILTERS 'ON')
Coverage angles nominal	85° x 55° (hor. x vert.), rotatable horn
Max. SPL	124 dB (SPL peak/1 m)
Components	1" high frequency driver with 45 mm titanium dome on CD horn 10" low-mid chassis
Connectors	LINE IN: XLR 3 pin female LINE OUT: XLR 3 pin male, parallel with LINE IN Pin 1=ground/Pin 2+=signal/Pin 3=-signal Neutrik PowerCon lockable, 1 input, 1 x output

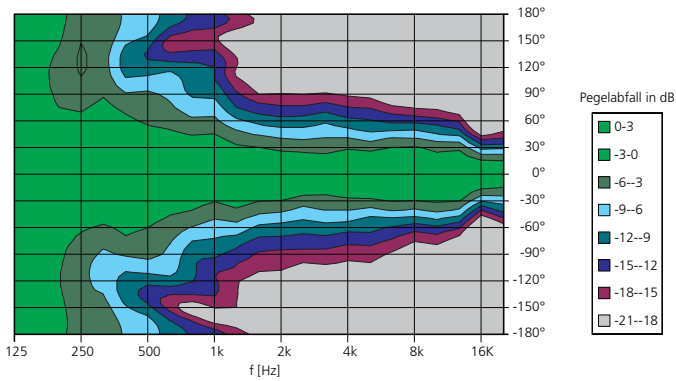
Input Module	
Input sensitivity	+6 dB/1.55 Vrms for rated output
Input impedance	50 kΩ (balanced/unbalanced)
Common mode rejection	Min.: 74 dB, typical: 90 dB
Controls	Level control ±6 dB, bypass switch for the active filters (for operations with K&F System Controller), ground lift switch
Display	Bi-coloured LED: green=Power On, red=Limit/Protect
Driver circuit	High pass 45 Hz (-3 dB), 24 dB/octave (FILTERS 'ON'), Phase correction, frequency equalisation (EQ), peak limiter, RMS limiter

Amplifier Module	
Type	Class D
Power	1000 W @ 8 Ω (EIAJ)
Power bandwidth	10 Hz to 30 kHz
Damping factor	>500 (100 Hz), >100 (10 kHz)
S/N ratio	>105 dB (A)
Cooling	Air convection (without fan)
Protection circuits	Short circuit, over-temperature, clipping, overload
Supply voltage	230 V version: AC 195 – 250 V, 50/60 Hz
alternative	115 V version: AC 95 – 125 V, 50/60 Hz
Power consumption nominal	@ 230 V: 1,25 A @ 115 V: 2,5 A
Burst current (Irms/<500 ms)	@ 230 V: 7 A @ 115 V: 14 A
Idle Current	@ 230 V: 200 mA @ 115 V: 400 mA

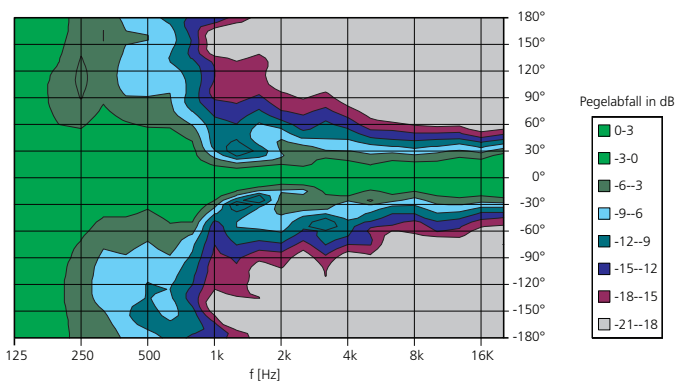
Enclosure	
	Multi-purpose enclosure out of 15 mm multiplex with highly resistable structured paint (PU) in RAL 9005 (black) or RAL 9010 (white), 54° monitor angle, 1 ergonomic handle, 5 x M10 and 2 x M8 thread inserts, ball proof steel grille with exchangeable, acoustic foam (black with RAL 9005 or light grey with RAL 9010) in front of the grille
Dimensions (W x H x D)	313 x 520 x 307 mm
Weight	20,8 kg
Colour	RAL 9005 (black) RAL 9010 (white) RAL special colour
Accessories	See catalogue or <a href="http://www.kling-freitag.com">www.kling-freitag.com</a>

<sup>1</sup> Abgekündigt zum Oktober 2015

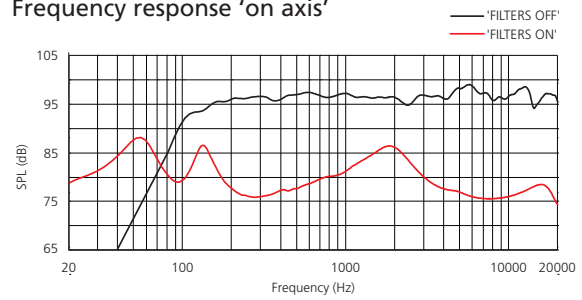
## Horizontal radiation pattern



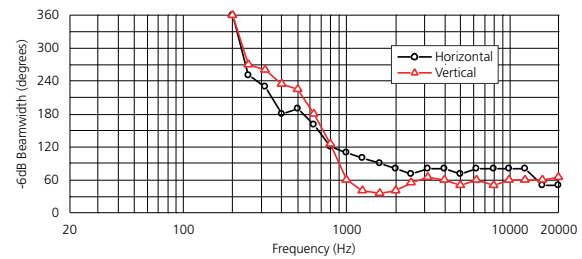
## Vertical radiation pattern



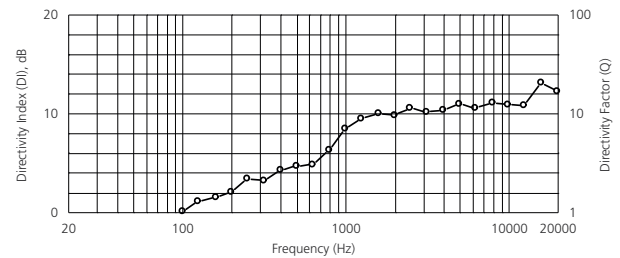
## Frequency response 'on axis'



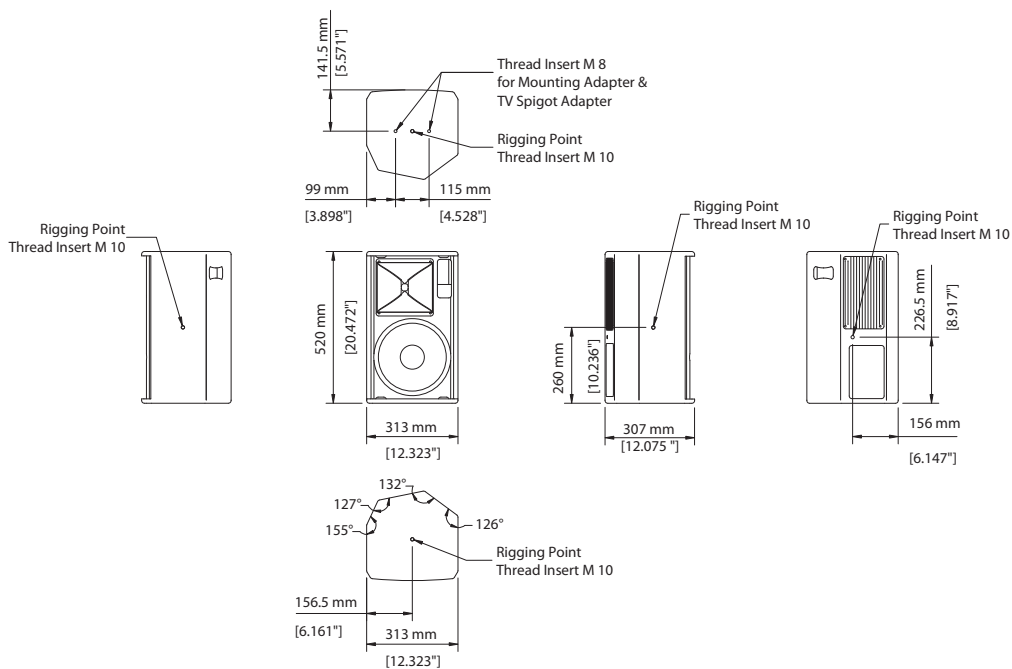
## Beamwidth vs. frequency



## Q-Index



All measurements under free field conditions. Frequency diagrams 1/6 octave averaged, radiation and polar pattern 1/3 octave averaged. The manufacturer reserves the right to make product alterations to improve product quality without prior notice. Errors excepted.



Further information and data like specifications, manuals, technical drawings as DWG, DXF and PDF files as well as data files for acoustic simulations with Ease and Ulysses are available on our web site [www.kling-freitag.de](http://www.kling-freitag.de)

**KLING & FREITAG GmbH**  
Wohlenbergstr. 5  
D-30179 Hannover  
Tel. +49 (0)511 96 99 7-0  
Fax +49 (0)511 96 99 7-97